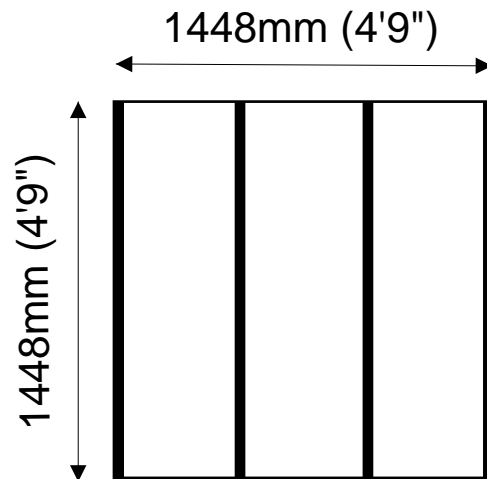


ALBANY SHED CO  
FLOOR PLAN: 505 BIRCHCROFT 1.5 x 1.5m approx.



If using bearers we suggest 4 at 5ft (1.5m)  
We reserve the right to alter design without prior notice