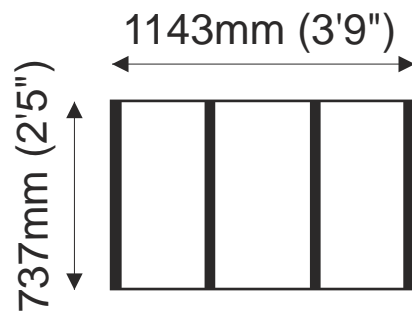


ALBANY SHED CO
FLOOR PLAN: 426 LOG STORE 1.2 x 0.8m approx.



If using bearers we suggest 2 at 4ft (1.2m)
We reserve the right to alter design without prior notice